



# AS62D

## 6 X 1200W COMPACT DMX DIMMER

### OWNER'S MANUAL

Version 1.1  
06/01/2022

## AS62D COMPACT DMX DIMMER

Version 1.1

OWNER'S MANUAL

06/01/2022

## DESCRIPTION

The AS62D is a compact six channel light dimmer. It has a maximum capacity of 1200 Watts per channel and maximum total load capacity of 4800 Watts. It is supplied with two input power cord stubs which may be connected to two different 120 VAC power phases. The AS62D is intended for INDOOR USE ONLY. The unit operates using the USITT DMX-512 protocol or an industry standard three wire multiplex protocol. The AS62D may be operated in a relay (non-dim) mode. The unit will also function as a chaser and has several preset chase patterns which may be used.

## INSTALLATION

**LOCATION:** Locate the unit vertically with control signal connectors on bottom in a well ventilated area away from moisture and heat. Two ½" holes are provided on the dimmer top cover to install a lighting bar pipe clamp and a suitable safety cable.

**POWER CONNECTIONS:** Extending from the chassis are two 20 amp line cords for connection to two separate 120 VAC, 20 Amp, grounded services in any phase combination. Total capacity of the AS62D is 4800 Watts.

**LOAD CONNECTIONS:** There are six numbered duplex outlets on the top of the unit. Each provides two connections for one of the output channels. You can connect up to 1200 Watts of lighting to a single channel. The total load capacity of the AS62D channels 1, 3, and 5 combined is limited to 2400 Watts. The total load capacity of the AS62D channels 2, 4, and 6 combined is also limited to 2400 Watts.

## CONTROL SIGNAL CONNECTIONS

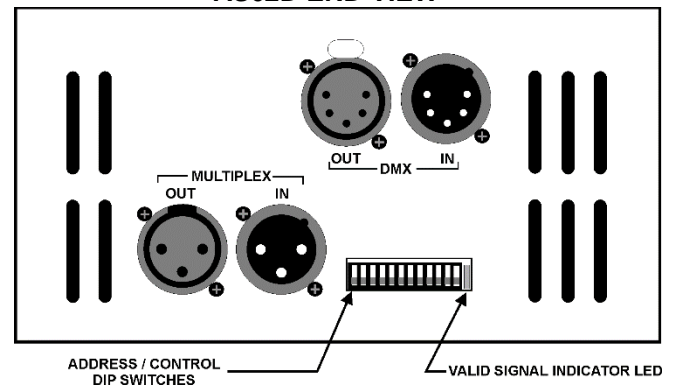
**FOR MULTIPLEX OPERATION:** The male three pin XLR connector on the unit end panel connects to the control console. The female connector is for connection to additional dimmers. The AS62D dimmer is compatible with the Lightronics and NSI/Sunn three wire multiplexed protocol. If you have older Lightronics dimmers which run in the obsolete Lightronics mode only, contact Lightronics for information on changing the mode. When using multiple dimmers, ALL dimmers MUST be in the SAME mode.

**FOR DMX-512 OPERATION:** The male five pin XLR connector on the unit end panel connects to the control console. The female connector is for connection to additional dimmers. The AS62D dimmer is compatible with the USITT DMX-512 protocol. If both multiplex and DMX signals are available to the unit - it will automatically lock on to the DMX signal. Note that the DMX standard does not provide for console power via the dimmer chain. Therefore the DMX console used with AS62D dimmers must be powered by other means.

## CONTROL SIGNAL WIRING

Connector Pin #	Multiplex	DMX
1	LMX Common	DMX Common
2	Console Power	DMX Data -
3	Multiplex Signal	DMX Data +
4	Not Used	Not Used
5	Not Used	Not Used

## AS62D END VIEW



## OPERATION

## NORMAL MODE (non-chaser)

A green LED in the end panel will indicate that a valid control signal (DMX or multiplex) is applied to the unit.

A DIP switch block on the end panel selects the starting channel number of the dimmer. The eight right hand switches control this function. For example, if all switch positions are down - the dimmer will respond to channels 1-6. Moving the switch position on the far right up will set the dimmer to respond to channels 3-8. A complete table of channel assignments is provided in this manual.

**RELAY MODE** Pairs of channels (1/2 and/or 3/4 and/or 5/6) may be switched into the relay mode. In this mode the output of these channels will be either off or full on

AS62D COMPACT DMX DIMMER

Version 1.1

OWNER'S MANUAL

06/01/2022

depending on the control console channel setting. The trip point for turn on is approx. 50%. The 3 left hand switches on the DIP switch block control relay mode channel selection.

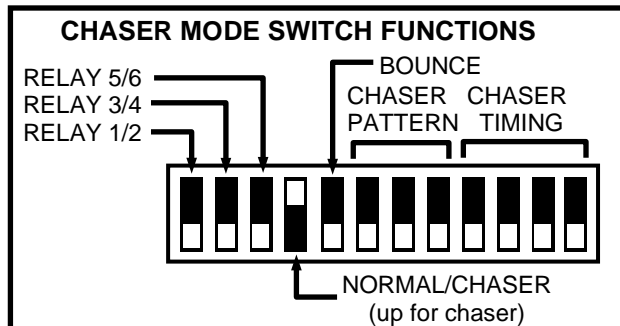
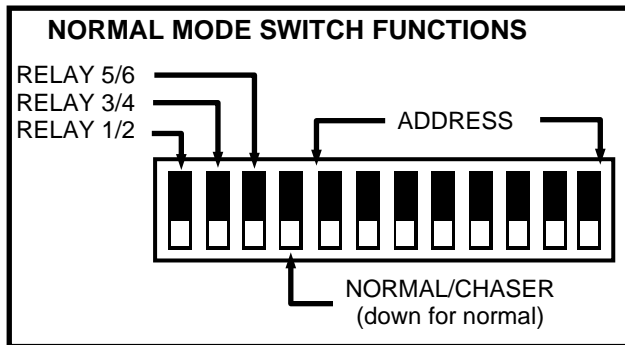
CHASER MODE

When operating in the chaser mode the AS62D becomes independent of the control console and other dimmers. The green LED indicator is OFF when in the chaser mode. Chaser mode is turned on and off by one of the DIP switches on the end of the unit. A diagram on the unit cover shows the switch settings for controlling chaser operation.

Eight different chaser patterns are available. A "bounce" condition may be imposed on several of the chase patterns by setting one of the DIP switches. The bounce condition causes the chase pattern to run in alternating directions.

The chase step time may be controlled for up to 128 seconds per step. Step fade time is proportional to the step time. If a channel is in the relay mode during chaser operation - it will "snap" on and off (zero fade time). The following tables show the details of chaser settings.

ADDRESS AND CONTROL SWITCH SETTINGS



CHASER PATTERN SELECTION

SWITCHES	PATTERN
↓ ↓ ↓ ↓	6 channel sequence
↓ ↓ ↓ ↑	6 channel build
↓ ↑ ↑ ↑	6 channel build/unbuild
↓ ↑ ↑ ↑	6 channel random
↑ ↓ ↓ ↓	3 channel sequence
↑ ↓ ↑ ↑	3 channel build
↑ ↑ ↓ ↓	3 channel build/unbuild
↑ ↑ ↑ ↑	2 channel alternating

CHASER TIMING SELECTION

SWITCHES	STEP TIME
↓ ↓ ↓ ↓	0.5 seconds
↓ ↓ ↓ ↑	1.0 seconds
↓ ↓ ↑ ↓	2 seconds
↓ ↓ ↑ ↑	4 seconds
↓ ↑ ↓ ↓	6 seconds
↓ ↑ ↓ ↑	8 seconds
↓ ↑ ↑ ↓	12 seconds
↓ ↑ ↑ ↑	16 seconds
↑ ↓ ↓ ↓	24 seconds
↑ ↓ ↓ ↑	32 seconds
↑ ↓ ↑ ↓	40 seconds
↑ ↓ ↑ ↑	48 seconds
↑ ↑ ↓ ↓	56 seconds
↑ ↑ ↓ ↑	64 seconds
↑ ↑ ↑ ↓	96 seconds
↑ ↑ ↑ ↑	128 seconds

MAINTENANCE AND REPAIR

TROUBLESHOOTING

- Check that you have power applied to the dimmer.
- Check that all light fixtures are functional.
- Check the fuses.
- Check the multiplex and/or DMX cable.
- Check the settings of the dimmer DIP switches.
- Check the console setup for correct patching.

REPAIR

The only user serviceable parts are externally accessible fuses. Replace fuses ONLY with 10

AS62D COMPACT DMX DIMMER  
OWNER'S MANUAL

Version 1.1

06/01/2022

Amp, 250VAC, fast blow fuses. Internal service on the unit by other than Lightronics authorized agents will void the warranty.

If service is required, contact the dealer from whom you purchased the dimmer, or Lightronics Service Department, 509 Central Drive, Virginia Beach, VA 23454. Tel: 757 486 3588.

WARRANTY INFORMATION AND  
REGISTRATION – CLICK LINK BELOW

[www.lightronics.com/warranty.html](http://www.lightronics.com/warranty.html)



