

FEATURES AND SPECIFICATIONS

LEDs: 18, 10W each (RGBWA, 5 in 1)
 White LED Color Temperature: 6500K
 Beam angle: 25 °
 Control system: DMX-512 + Stand Alone Modes
 DMX channels: 5/9
 DMX connectors: 3 pin XLR and 5 pin XLR
 Refresh Rate: >400 Hz
 Voltage: 120 - 240 VAC 50/60Hz
 Max power consumption: 200 Watts
 Cooling: Internal Fan
 Body material: Die Cast Aluminum
 Body color: Black
 Size: 13.3"L x 11.81"W x 4.56"H (without brackets)
 Weight: 16.5 lbs (7.5 kg)

DESCRIPTION

The FXLD1018FRP5I is a RGBWA LED lighting fixture. It is suitable for stage, disco, night club, and other artistic applications. It has several stand alone control modes and can operate via a DMX-512 external signal.

A double yoke enables the fixture to be operated in several positions.

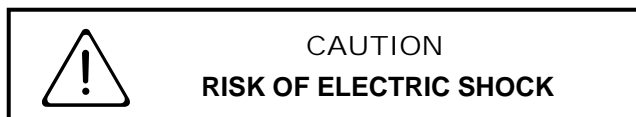
INSTALLATION

LOCATION

The FXLD1018FRP5I is rated IP20 and is intended for INDOOR USE ONLY.

Locate the unit in a well ventilated area away from moisture and heat. Keep the vent holes clear. Holes are provided on the yokes to install a lighting bar pipe clamp. Use a safety cable when hanging the fixture.

POWER CONNECTIONS



The FXLD1018FRP5I has a blue powercon style connector for power input. A compatible power cable is provided for connection to a 120 VAC, 15 Amp, 60Hz, grounded service. Push the blue connector on the cable straight into the blue connector on the unit and twist approx. 1/8 turn clockwise to latch it.



The white powercon style connector on the unit is used to pass power on to another FXLD1018FRP5I unit. A mating white connector is also provided.

Caution is advised since the line cord is rated for approx. 7 Amps maximum.

THE SAFETY GROUND TERMINAL ON THE POWER CABLE MUST BE USED.

DMX CONNECTIONS

A system using DMX control should be connected as a chain of devices. In other words the control signal cable should proceed from the controller to the first receiving device and then to others in a continuous "daisy chain" fashion.

The fixture has a DMX IN and a DMX OUT connector to be used to connect the chain. The control cable should NOT be split into a multiple run star arrangement with a cable running from the controller directly to each receiving device pack.

DMX CONNECTOR PIN ASSIGNMENTS

There are two different connectors generally used for DMX control. They are both XLR type connectors. Some units use 3 pin connectors. Others use 5 pin. The FXLD1018FRP5I has both. DMX can be received on either the 3 pin or 5 pin MALE male connector on the back of the unit. The 3 and 5 pin FEMALE connectors are used to connect to the next DMX device on the control chain.

The table below shows the pin assignments for BOTH the 3 pin and 5 pin connectors.

PIN #	SIGNAL NAME
1	DMX COMMON
2	DMX DATA -
3	DMX DATA +
4	NOT USED
5	NOT USED

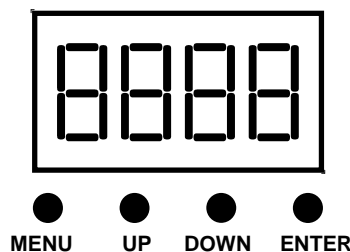
DMX TERMINATION

A DMX chain should be terminated at the last receiving device on the chain. This is done by installing a commonly available 1/4 Watt, 120 Ohm resistor across the DATA - and DATA + wires at the last device. If you have only a few fixtures very close together and a very short run to the controller then you may be able to operate without the terminator.

OPERATION

A control panel on the back of the unit is used to set the operating options. It consists of an LED display and four buttons (MENU, UP, DOWN, and ENTER)

CONTROL PANEL



Push MENU to access the operating options. When you reach the option you want to set or change - use UP or DOWN to set a value. Push ENTER to save your changes and activate the option. See the "MENU NAVIGATION" diagram for additional details.

There are 6 operation modes: DMX, Color Fade, Color Change, Color Select, Demo, and Slave.

DMX OPERATION

For DMX operation the FXLD1018FRP5I fixture can be configured as a 5 channel , or 9 channel unit.

Use the **dxxx** (5 ch) or **d.xxx** (9 ch) menu to set the starting address of the unit. You can select the starting address of the unit with the UP and DOWN buttons.

Detailed information on DMX channel operation is given in the tables DMX VALUES AND FUNCTIONS.

MANUAL OPERATION (CSO1)

For manual operation you can use the Color Select menu (CSO1) to select a color and level.

COLOR FADE (CF01)

The Color Fade mode cycles smoothly through a sequence of colors. Use the CSO1 menu to set the speed and activate the option. The range is from 1 to 99. 99 is fastest.

COLOR CHANGE (CC01)

The COLOR CHANGE mode switches continuously through a sequence of colors. Use the CCO1 menu to set the speed. The range is from 1 to 99. 99 is fastest.

DEMO MODE (dENo)

The unit cycles through a fixed series of colore and fades. There are no other adjustments or settings in this mode.

MASTER/SLAVE OPERATION

The FXLD1018FRP5I can operate in a Master/Slave mode where one of the units can synchronize other units of the same model.

Connect the units together using the DMX IN and DMX OUT connectors. Set the unit to be the Master in one of the modes above. Use the SLAV menu to set a unit as a slave.

MAINTENANCE AND REPAIR**CAUTION DO NOT OPEN UNIT****RISK OF ELECTRIC SHOCK
RISK OF FIRE****TROUBLESHOOTING**

Check that you have power applied to the unit.

Check the DMX control cable.

Check the address settings of the unit and the controller.

CLEANING

Do not use harsh chemicals or solvents when cleaning the fixture. A mild detergent can be used sparingly if needed. Ensure that the unit is completely dry before re-use.

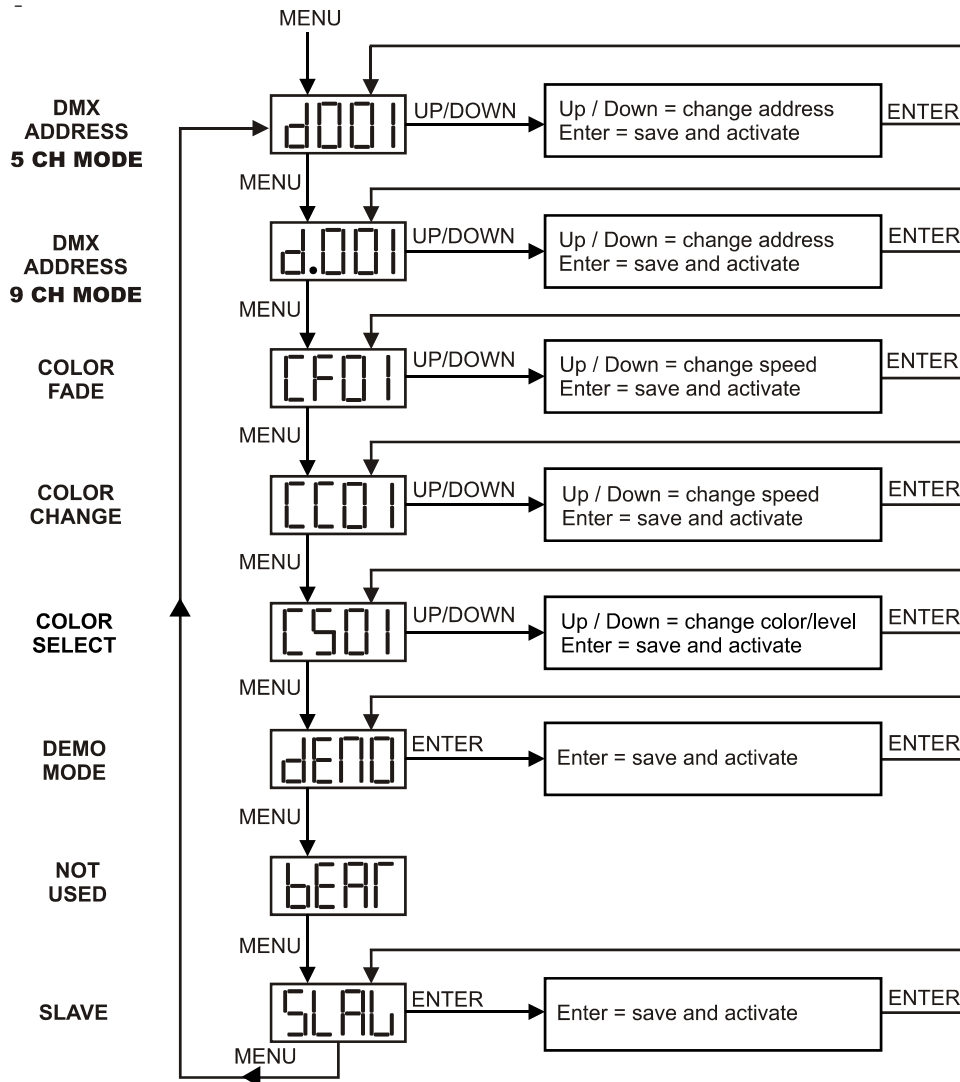
REPAIR

The fixture contains a 2 Amp, fast acting, 5mm x 20mm externally accessible fuse. Replace the fuse **ONLY** with the same size and type.

The FXLD1018FRP5I does not contain any other user serviceable parts. Internal service on the unit by other than Lightronics authorized agents will void the warranty.

If service is required, contact the dealer from whom you purchased the item, or contact the Lightronics, Service Department, 509 Central Drive, Virginia Beach, VA 23454. Tel: 757 486 3588.

MENU NAVIGATION



DMX VALUES AND FUNCTIONS

5 CHANNEL MODE (MODE dXXX)

CHANNEL NO.	FUNCTION
1	0 - 255 Red Level
2	0 - 255 Green Level
3	0 - 255 Blue Level
4	0 - 255 White Level
5	0 - 255 Amber Level

9 CHANNEL MODE (MODE d.XXX)

CHANNEL NO.	FUNCTION
1	0 - 255 Red Level
2	0 - 255 Green Level
3	0 - 255 Blue Level
4	0 - 255 White Level
5	0 - 255 Amber Level
6	Master Dimmer
7	0 - 1 No Strobe
	2 - 255 Strobe Speed
8	0 - 32 Red
	33 - 65 Red/Green
	66 - 96 Red/Green
	97 - 129 Green/Blue
	130 - 160 Green/Blue
	161 - 191 Red/Blue
	192 - 224 Red/Blue
	225 - 254 R/G/B/A/W
	255 All on
9	0 - 9 No Function
	10 - 63 R + B Auto
	64 - 127 R + G Auto
	128 - 191 G + B Auto
	192 - 255 R+G+B+w+A Auto

The banner features the Lightronics logo on both sides, which consists of the word "LIGHTRONICS" in a bold, sans-serif font with a stylized "O" containing a circular element. The word "WARRANTY" is prominently displayed in the center in a large, bold, white, sans-serif font, set against a dark grey rectangular background.

LIGHTRONICS **WARRANTY** LIGHTRONICS

This product is warranted for a period of TWO YEARS from the date of purchase against defects in materials and workmanship.

This warranty is subject to the following restrictions and conditions:

- A) If service is required, you may be asked to provide proof of purchase from an authorized Lightronics dealer.
- B) This warranty is valid only for the original purchaser of the unit.
- C) This warranty does not apply to damage resulting from abuse, misuse, accidents, shipping, and repairs or modifications by anyone other than an authorized Lightronics service representative.
- D) This warranty is void if the serial number is removed, altered or defaced.
- E) This warranty does not cover loss or damage, direct or indirect arising from the use or inability to use this product.
- F) Lightronics reserves the right to make any changes, modifications, or updates as deemed appropriate by Lightronics to products returned for service. Such changes may be made without prior notification to the user and without incurring any responsibility or liability for modifications or changes to equipment previously supplied. Lightronics is not responsible for supplying new equipment in accordance with any earlier specifications.
- G) This warranty is the only warranty either expressed, implied, or statutory, upon which the equipment is purchased. No representatives, dealers or any of their agents are authorized to make any warranties, guarantees, or representations other than expressly stated herein.
- H) This warranty does not cover the cost of shipping products to or from Lightronics for service.
- I) Lightronics Inc. reserves the right to make changes as deemed necessary to this warranty without prior notification.