

## FEATURES AND SPECIFICATIONS

LEDs: 36, 8 Watts each (R,G,B,W - 4 in 1)  
Beam angle: 25 °  
Control system: DMX-512 + Stand Alone Modes  
DMX channels: 4/5/7  
DMX connectors: 3 pin XLR  
Voltage: 120 VAC 50/60Hz  
Max power consumption: 320 Watts  
Body material: Die Cast Aluminum  
Body color: Black  
Size: 13"L x 11.5"W x 7.5"H  
Weight: 14.3 lbs (7kg)

## DESCRIPTION

The FXLD836C4I is a RGBW LED lighting fixture. It is suitable for stage, disco, night club, and other artistic applications. It has several stand alone control modes and can operate via a DMX-512 external signal.

A double yoke enables the fixture to be operated in several positions.

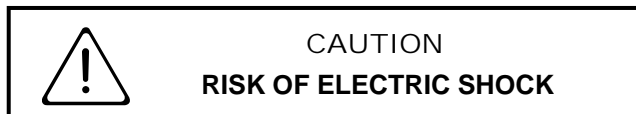
## INSTALLATION

### LOCATION

The FXLD836C4I is rated IP20 and is intended for INDOOR USE ONLY.

Locate the unit in a well ventilated area away from moisture and heat. Keep the vent holes clear. Holes are provided on the yokes to install a lighting bar pipe clamp. Use a safety cable when hanging the fixture.

### POWER CONNECTIONS



The FXLD836C4I has a blue powercon style connector for power input. A compatible power cable is provided for connection to a 120 VAC, 15 Amp, 60Hz, grounded service. Push the blue connector on the cable straight into the blue connector on the unit and twist approx. 1/8 turn clockwise to latch it.

The white powercon style connector on the unit is used to pass power on to another unit. A mating white connector is also provided.



Caution is advised since the line cord is rated for approx. 7 Amps maximum.

**THE SAFETY GROUND TERMINAL ON ALL POWER CABLES MUST BE USED.**

### DMX CONNECTIONS

A system using DMX control should be connected as a chain of devices. In other words the control signal cable should proceed from the controller to the first receiving device and then to others in a continuous "daisy chain" fashion.

The fixture has a DMX IN and a DMX OUT connector to be used to connect the chain. The control cable should NOT be split into a multiple run star arrangement with a cable running from the controller directly to each receiving device pack.

### DMX CONNECTOR PIN ASSIGNMENTS

There are two different connectors which can be used for DMX control. They are both XLR type connectors. Some units use 3 pin connectors. Others use 5 pin connectors. The FXLD836C4I receives a DMX signal on the 3 pin MALE connector on one side of the unit. The 3 pin FEMALE connector is used to connect the next DMX device on the control chain.

If your console uses a 5 pin connector you can make up an adapter cable to accommodate this. The table below shows the pin assignments for BOTH the 3 pin and 5 pin connectors.

PIN #	SIGNAL NAME
1	DMX COMMON
2	DMX DATA -
3	DMX DATA +
4	NOT USED
5	NOT USED

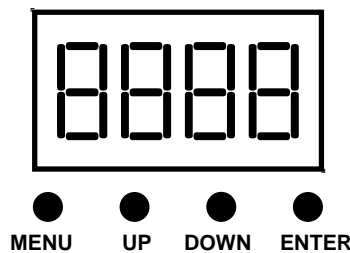
**DMX TERMINATION**

A DMX chain should be terminated at the last receiving device on the chain. This is done by installing a commonly available 1/4 Watt, 120 Ohm resistor across the DATA - and DATA + wires at the last device. If you have only a few fixtures very close together and a very short run to the controller then you may be able to operate without the terminator.

**OPERATION**

A control panel on one side of the unit is used to set the operating options. It consists of an LED display and four buttons (MENU, UP, DOWN, and ENTER)

**CONTROL PANEL**



Push MENU to access the operating options. Then use UP and DOWN to scroll through the available choices. When you reach the option you want to set or change - push ENTER. Now you can view the current setting for the option and/or change it. Push ENTER to save your changes and activate the option. See the "MENU NAVIGATION" diagram for additional details.

There are 9 operation modes: DMX, Red Level, Green Level, Blue Level, White Level, Strobe, Fade, Auto Sequence, and Auto Run.

**DMX OPERATION**

Use the Addr menu to set the starting address of the unit. You can set the starting address of the unit with the UP and DOWN buttons.

For DMX operation the FXLD836C4I fixture can be configured as a 4 channel, 5 channel, or 7 channel unit.

Set the CH - - menu to A001(4 channel), P001 (5 channel), or F001(7 channel) operation.

Detailed information on DMX channel operation is given in the tables DMX VALUES AND FUNCTIONS.

**MANUAL OPERATION**

For manual operation the red, green blue, and white LED intensity levels may be independently set. Use the rL - -, gL - -, bL - -, and EL - -, menus to set the levels. The range is from 00 to 100. 00 is OFF.

**STROBE MODE (FLAS)**

The Strobe mode causes the unit to flash all led's. The speed is user controllable by using the FLAS menu. The speed range is 1 - 100. 100 is fastest.

**AUTO FADE (FADE)**

The Auto Fade mode cycles smoothly through a sequence of seven colors. Use the FADE menu to set the speed and activate the option. The range is from 0 to 100. 100 is fastest.

**AUTO SEQUENCE (ASC -)**

The AUTO SEQUENCE mode switches continuously through a sequence of colors. Use the ASC - menu to set the sequence speed. The range is from 1 to 100. 100 is fastest.

**AUTO RUN (Auto)**

The unit can operate using 100 preset programs. Programs 0 thru 49 are a variety of colors and patterns.

Programs 50 thru 100 are similar but are sound synced to music base notes.

Use the Auto menu to select and activate a preset autorun program.

## MAINTENANCE AND REPAIR

**CAUTION DO NOT OPEN UNIT****RISK OF ELECTRIC SHOCK  
RISK OF FIRE****TROUBLESHOOTING**

Check that you have power applied to the unit.

Check the DMX control cable.

Check the address settings of the unit and the controller.

**CLEANING**

Do not use harsh chemicals or solvents when cleaning the fixture. A mild detergent can be used sparingly if needed. Ensure that the unit is completely dry before re-use.

**REPAIR**

The fixture contains a 2 Amp, fast acting, 5mm x 20mm externally accessible fuse. Replace the fuse **ONLY** with the same size and type.

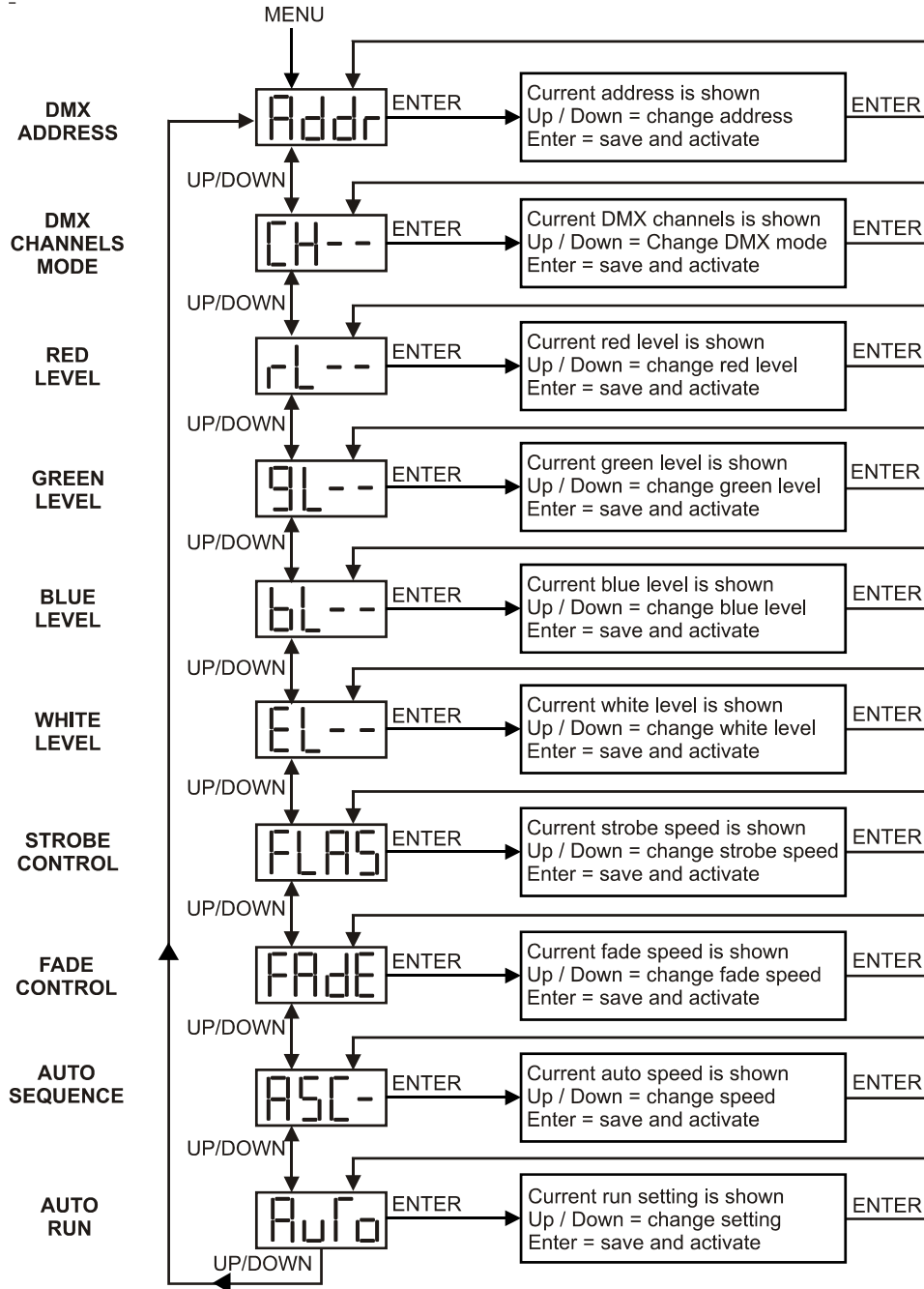
The FXLD836C4I does not contain any other user serviceable parts. Internal service on the unit by other than Lightronics authorized agents will void the warranty.

If service is required, contact the dealer from whom you purchased the item, or contact the Lightronics, Service Department, 509 Central Drive, Virginia Beach, VA 23454. Tel: 757 486 3588.

## PHOTOMETRIC CHARACTERISTICS

Distance (ft)	Illuminance (Lux)	Beam Diam. (ft)
10	3330	4
20	1025	6
30	475	8

MENU NAVIGATION



## DMX VALUES AND FUNCTIONS

**4 CHANNEL MODE (MODE A)**

CHANNEL NO.	FUNCTION
1	0 - 255 Red Level
2	0 - 255 Green Level
3	0 - 255 Blue Level
4	0 - 255 White Level

**5 CHANNEL MODE (MODE P)**

CHANNEL NO.	FUNCTION
1 ↓ ↓ ↓	0 - 152 RGB Dimmer Master
	153 - 196 Strobe (slow - fast)
	197 - 242 Auto Strobe (slow - fast)
	243 - 255 RGB Dimmer Master
2	0 - 255 Red Level
3	0 - 255 Green Level
4	0 - 255 Blue Level
5	0 - 255 White Level

**7 CHANNEL MODE (MODE F)**

CHANNEL NO.	FUNCTION
1	0 - 255 Red Level
2	0 - 255 Green Level
3	0 - 255 Blue Level
4	0 - 255 White Level
5 ↓ ↓	0 - 1 No Strobe
	2 - 196 Strobe (slow - fast)
	197 - 255 Auto Strobe (slow - fast)
6 ↓ ↓ ↓ ↓ ↓ ↓ ↓ ↓ ↓ ↓ ↓ ↓	0 - 1 No Function
	2 - 19 Color Fade (slow - fast)
	20 - 39 Color Sequence (slow - fast)
	40 - 59 Color Pattern (slow - fast)
	60 - 79 Yellow
	80 - 99 Purple
	100 - 119 Light Green
	120 - 139 Orange
	140 - 159 Red On/Off (10 sec.)
	160 - 179 Green On/Off (10 sec.)
	180 - 199 Blue On/Off (10 sec.)
	200 - 219 Yellow On/Off (10 sec.)
	220 - 229 Cyan On/Off (10 sec.)
	230 - 249 White On/Off (10 sec.)
250 - 255 All On	
7	0 - 255 Dimmer (All Off - All On)



This product is warranted for a period of TWO YEARS from the date of purchase against defects in materials and workmanship.

---

This warranty is subject to the following restrictions and conditions:

- A) If service is required, you may be asked to provide proof of purchase from an authorized Lightronics dealer.
- B) This warranty is valid only for the original purchaser of the unit.
- C) This warranty does not apply to damage resulting from abuse, misuse, accidents, shipping, and repairs or modifications by anyone other than an authorized Lightronics service representative.
- D) This warranty is void if the serial number is removed, altered or defaced.
- E) This warranty does not cover loss or damage, direct or indirect arising from the use or inability to use this product.
- F) Lightronics reserves the right to make any changes, modifications, or updates as deemed appropriate by Lightronics to products returned for service. Such changes may be made without prior notification to the user and without incurring any responsibility or liability for modifications or changes to equipment previously supplied. Lightronics is not responsible for supplying new equipment in accordance with any earlier specifications.
- G) This warranty is the only warranty either expressed, implied, or statutory, upon which the equipment is purchased. No representatives, dealers or any of their agents are authorized to make any warranties, guarantees, or representations other than expressly stated herein.
- H) This warranty does not cover the cost of shipping products to or from Lightronics for service.
- I) Lightronics Inc. reserves the right to make changes as deemed necessary to this warranty without prior notification.